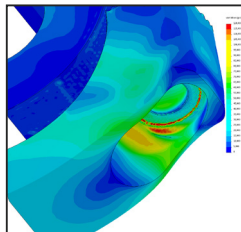
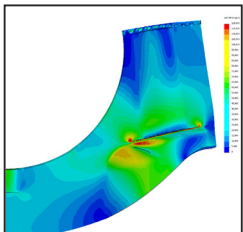


RICH TRADITION

With a 50+ year legacy of supplying the premier steel connecting rod, CP-Carrillo has elected to offer its quality, craftsmanship, and depth of experience in an Aluminum connecting rod. Presently offered for top fuel, blown alcohol, and nitro fueled engines used in 2000-10,000+ HP applications these rods are everything you would expect from a product with the CP-Carrillo name on it. Not simply copies of the offerings from other manufactures, these rods from CP-Carrillo are a complete re-design in every aspect of an aluminum connecting rod for extreme HP applications.



Combining the use of a forging, two options of materials for various applications, designs formulated with the aid of FEA, ongoing updates based on feedback from real world usage, 100% CNC machining, strict quality control and inspection processes that are part of every CP-Carrillo product, you can clearly see and understand why these are the best rods you will find.



GUARANTEE

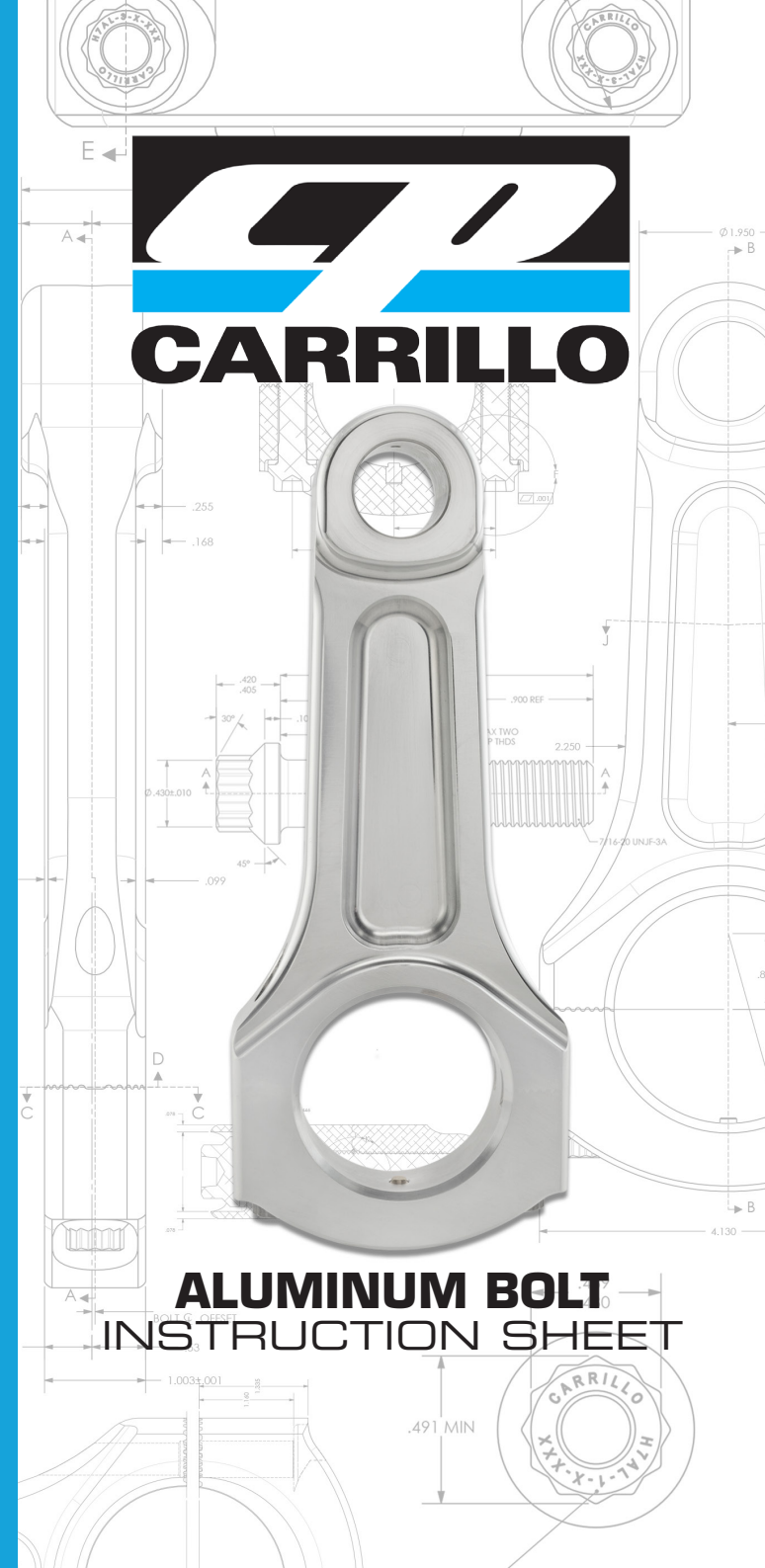
Technological advances are constantly made in the high performance engine business; many components that are adequate today will be outdated and unacceptable tomorrow. For this reason, we at CP-Carrillo are continually testing our products to assure our customers that we offer the highest quality products. CP-Carrillo's enviable reputation in the industry has led competitors throughout the world to copy our design. Watch for counterfeits. These imitations do not employ our sophisticated methods of certification and inspection. Consequently, these parts cannot approach the high quality component that CP-Carrillo produces. Our obligation to the high performance engine business is that only the finest quality materials, workmanship and inspection procedures are documented and accepted. This is our guarantee to you, our customer.

WWW.CP-CARRILLO.COM

1902 McGAW IRVINE, CA 92614

TEL: 949.567.9000 - FAX: 949.567.9010

MEMBER OF PANKL RACING SYSTEMS



ALUMINUM BOLT INSTRUCTION SHEET



ALUMINUM CONNECTING ROD BOLTS

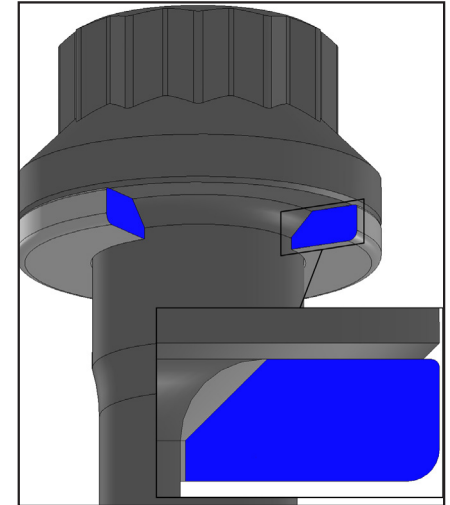
In a clean work area, disassemble the cap from the rods and clean all parts thoroughly. All bolts should be lubricated under the heads, on the threads as well as both sides of the washer and the washer area in the cap. We recommend using only a high quality racing motor oil during assembly. Install washers on bolts with bevel towards bolt head.

The preferred method to torque the bolt is by using the stretch figure listed in the table below. In order to check bolt stretch, simply fixture one rod, leaving the cap portion free from clamping load.

Measure both bolt lengths loose, and then tighten the bolt until the measured increase in length correlates with the figures below, final torque should be completed in one full motion.

Use the indicated torque reading to tighten all the connecting rods in final assembly.

We advise AGAINST using an impact gun to start bolts and please use caution not to cross threads.



The following are some of the features you will find in CP-Carrillo Aluminum Rods:

- Fully machined forgings
- Extensive use of FEA throughout the design process
- Floating bolt washers to achieve consistent and proper bolt stretch
- Machined areas on the rod body and cap around the bolts to relieve stress
- Roller burnished pin bores (Fuel applications only)
- Proven, superior bolt design and material (7/16 WMC- H11)
- Race Proven Results

FOR ACCESS TO OUR FULL CATALOG
SCAN OUR QR CODE:



THREAD	TYPE	HEAD MARKING	STRETCH RECOMMENDED ENGLISH	STRETCH RECOMMENDED METRIC	APPROX TORQUE
3/8-24	WMC	H6AL	0.0070 in to 0.0090 in	0.180 to 0.230	100 ftlb
7/16-20	WMC	H7AL	0.0065 in to 0.0085 in	0.162 to 0.214	100 ftlb
7/16-20	WMC	H7AL-1	0.0065 in to 0.0085 in	0.162 to 0.214	100 ftlb
7/16-20	WMC	H7AL-2	0.0065 in to 0.0085 in	0.162 to 0.214	100 ftlb
7/16-20	WMC	H7AL-3	0.0065 in to 0.0085 in	0.162 to 0.214	100 ftlb
7/16-20	WMC	H7AL-4	0.0055 in to 0.0075 in	0.140 to 0.191	100 ftlb

ALUMINUM CONNECTING ROD CLEARANCES:

Bearing Clearance.....	0.003-0.006"
Rod side clearance.....	0.018-0.060"
Wrist Pin Clearance.....	0.0007-0.0012"
Minimum Rotating clearance to block & cam or piston to head.....	.060"

CP-CARRILLO reserves the right to alter the design or initiate product changes without incurring liability or obligation with respect to similar products previously manufactured by this concern.