

## CUSTOMER INFORMATION

CUSTOMER NAME:	
PO NUMBER:	
JOB NUMBER:	
DATE PRINTED:	<b>8/10/2020</b>
PART NUMBER:	<b>BBF6200-080</b>



## ENGINE SPECIFICATION

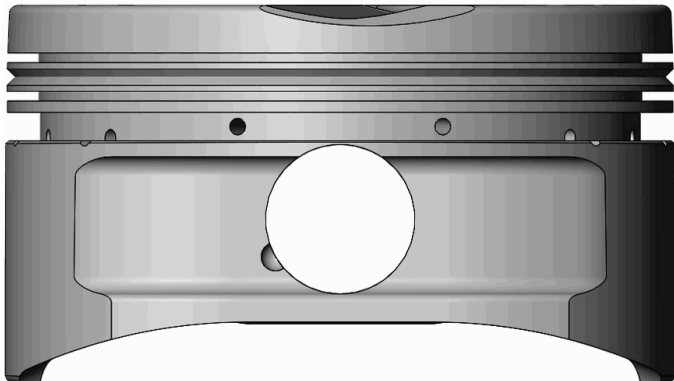
MOTOR: <b>Ford Big Block</b>	HEAD: <b>Cobra Jet</b>	COMP RATIO:	ROD LENGTH:
MOTOR SIZE: <b>512</b>	HEAD CC:	BLOCK HEIGHT:	TOP RING RADIAL:
BORE: <b>4.440</b>	INT VALVE DIA:	GASKET THK:	2 <sup>nd</sup> RING RADIAL:
STROKE:	EXT VALVE DIA:	DECK CLEARANCE:	OIL RING RADIAL:

## PISTON SPECIFICATION

FORGING#: <b>4314</b>	DISH/DEPTH:	PIN DIAMETER: <b>.990</b>
DOME HEIGHT: <b>.000</b>	CAM PROFILE: <b>SF5C6T17</b>	PIN FIT TO: <b>.9912</b>
DOME/DISH VOL: <b>-6.230</b>	TOP LAND VOL.: <b>-1.880</b>	PISTON TO CYL CLEAR: <b>.0050</b>
		PIN LENGTH: <b>2.750</b>

RING DATA	GROOVE WIDTH		GROOVE DIAMETER	
	INCH	METRIC	INCH	METRIC
TOP RING	.0640	1.6256	3.9910	101.3714
2 <sup>ND</sup> RING	.0640	1.6256	3.9910	101.3714
OIL RING	.1880	4.7752	3.9710	100.8634

VALVE RELIEF	INTAKE		EXHAUST	
	INCH	METRIC	INCH	METRIC
POCKET DEPTH	-.3000	-7.620	-.0750	-1.905
POCKET ANGLE	14.000°		15.000°	
POCKET DIA.	2.4500	62.230	2.1000	53.340



COATINGS:	-
-----------	---

PISTON WEIGHT:	594
----------------	-----

COMPRESSION HEIGHT:	1.415	CENTER OF PIN TO DECK
---------------------	-------	-----------------------

TURN DIA:	4.4350
-----------	--------

GAUGE POINT:	.500	INCHES UP FROM BOTTOM OF SKIRT
--------------	------	--------------------------------