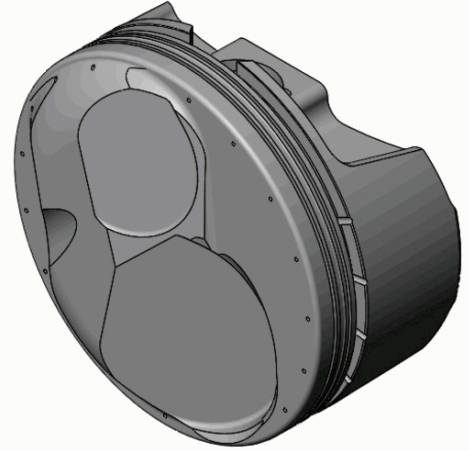


CUSTOMER INFORMATION

CUSTOMER NAME:
 PO NUMBER:
 JOB NUMBER:
 DATE PRINTED: **6/4/2021**
 PART NUMBER: **BBCSRE5325-110**



ENGINE SPECIFICATION

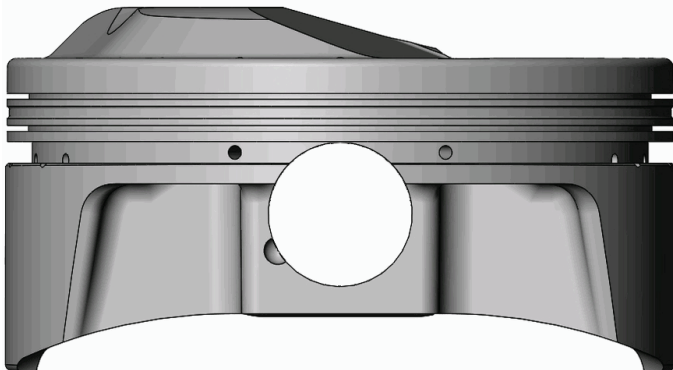
MOTOR: Chevrolet Big Block	HEAD: SR20	COMP RATIO:	ROD LENGTH:
MOTOR SIZE: 582	HEAD CC:	BLOCK HEIGHT:	TOP RING RADIAL:
BORE: 4.610	INT VALVE DIA:	GASKET THK:	2 nd RING RADIAL:
STROKE:	EXT VALVE DIA:	DECK CLEARANCE:	OIL RING RADIAL:

PISTON SPECIFICATION

FORGING#: 55H/	DISH/DEPTH:	PIN DIAMETER: .990
DOME HEIGHT: .350	CAM PROFILE: 10F45C5L18	PIN FIT TO: .9913
DOME/DISH VOL: 24.470	TOP LAND VOL.: -.990	PISTON TO CYL CLEAR: .0050
		PIN LENGTH: 2.750

RING DATA	GROOVE WIDTH		GROOVE DIAMETER	
	INCH	METRIC	INCH	METRIC
TOP RING	.0400	1.016	4.2740	108.5596
2 ND RING	.0400	1.016	4.2860	108.8644
OIL RING	.1490	3.7846	4.2340	107.5436

VALVE RELIEF	INTAKE		EXHAUST	
	INCH	METRIC	INCH	METRIC
POCKET DEPTH	-.3550	-9.017	.0200	.508
POCKET ANGLE	20.000°		13.000°	
POCKET DIA.	2.5650	65.151	2.0000	50.800



COATINGS: -

PISTON WEIGHT: **588**

COMPRESSION HEIGHT: **1.070** CENTER OF PIN TO DECK

TURN DIA: **4.6050**

GAUGE POINT: **.400** INCHES UP FROM BOTTOM OF SKIRT