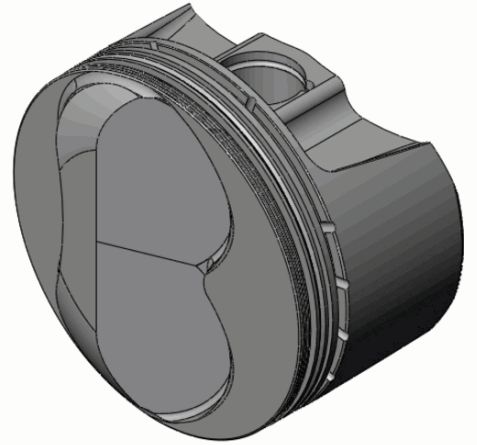


## CUSTOMER INFORMATION

CUSTOMER NAME:	
PO NUMBER:	
JOB NUMBER:	
DATE PRINTED:	<b>8/10/2020</b>
PART NUMBER:	<b>BC1046-045</b>



## ENGINE SPECIFICATION

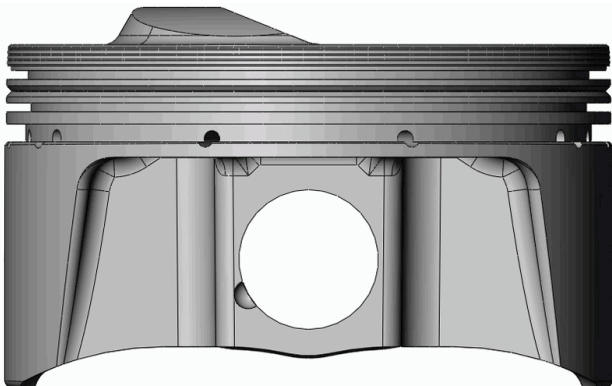
MOTOR:	<b>Chevrolet SB</b>	HEAD:	<b>461 Iron</b>	COMP RATIO:		ROD LENGTH:	
MOTOR SIZE:	<b>386</b>	HEAD CC:		BLOCK HEIGHT:		TOP RING RADIAL:	
BORE:	<b>4.045</b>	INT VALVE DIA:		GASKET THK:		2 <sup>nd</sup> RING RADIAL:	
STROKE:		EXT VALVE DIA:		DECK CLEARANCE:		OIL RING RADIAL:	

## PISTON SPECIFICATION

FORGING#:	<b>20</b>	DISH/DEPTH:		PIN DIAMETER:	<b>.927</b>
DOME HEIGHT:	<b>.250</b>	CAM PROFILE:	<b>10F5C65L17</b>	PIN FIT TO:	<b>.9281</b>
DOME/DISH VOL:	<b>4.820</b>	TOP LAND VOL.:	<b>-.990</b>	PISTON TO CYL CLEAR:	<b>.0045</b>
				PIN LENGTH:	<b>2.500</b>

RING DATA	GROOVE WIDTH		GROOVE DIAMETER	
	INCH	METRIC	INCH	METRIC
TOP RING	.0600	1.524	3.7240	94.5896
2 <sup>ND</sup> RING	.0600	1.524	3.6920	93.7768
OIL RING	.1190	3.0226	3.7560	95.4024

VALVE RELIEF	INTAKE		EXHAUST	
	INCH	METRIC	INCH	METRIC
POCKET DEPTH	-.3100	-7.874	-.3100	-7.874
POCKET ANGLE	22.000°		22.000°	
POCKET DIA.	2.2500	57.150	2.2500	57.150



COATINGS:	-
-----------	---

PISTON WEIGHT:	462
----------------	-----

COMPRESSION HEIGHT:	1.425	CENTER OF PIN TO DECK
---------------------	-------	-----------------------

TURN DIA:	4.0405
-----------	--------

GAUGE POINT:	.500	INCHES UP FROM BOTTOM OF SKIRT
--------------	------	--------------------------------