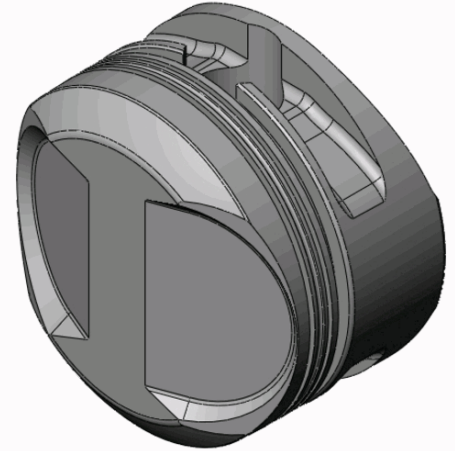


## CUSTOMER INFORMATION

CUSTOMER NAME:	
PO NUMBER:	
JOB NUMBER:	
DATE PRINTED:	6/19/2023
PART NUMBER:	4375-PM-CP



## ENGINE SPECIFICATION

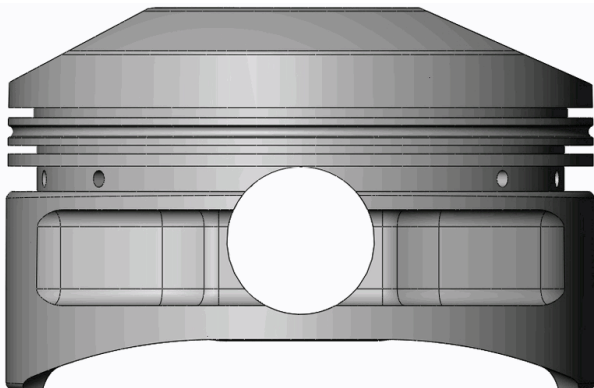
MOTOR:	Chrysler	HEAD:	BAE Fat Head	COMP RATIO:		ROD LENGTH:	
MOTOR SIZE:	528ci	HEAD CC:		BLOCK HEIGHT:		TOP RING RADIAL:	
BORE:	4.375	INT VALVE DIA:		GASKET THK:		2 <sup>nd</sup> RING RADIAL:	
STROKE:		EXT VALVE DIA:		DECK CLEARANCE:		OIL RING RADIAL:	

## PISTON SPECIFICATION

FORGING#:	437	DISH/DEPTH:		PIN DIAMETER:	1.094
DOME HEIGHT:	.330	CAM PROFILE:	10HD10M18	PIN FIT TO:	1.0950
DOME/DISH VOL:	31.940	TOP LAND VOL.:	-2.680	PISTON TO CYL CLEAR:	.0050
				PIN LENGTH:	2.850

RING DATA	GROOVE WIDTH		GROOVE DIAMETER	
	INCH	METRIC	INCH	METRIC
TOP RING	.0752	1.9093	3.9550	100.457
2 <sup>ND</sup> RING	.0640	1.6256	3.9100	99.314
OIL RING	.1880	4.7752	3.9050	99.187

VALVE RELIEF	INTAKE		EXHAUST	
	INCH	METRIC	INCH	METRIC
POCKET DEPTH	-.2750	-6.985	-.2900	-7.366
POCKET ANGLE	20.000°		23.000°	
POCKET DIA.	2.5700	65.278	2.1750	55.245



COATINGS:	-
-----------	---

PISTON WEIGHT:	706
----------------	-----

COMPRESSION HEIGHT:	1.395	CENTER OF PIN TO DECK
---------------------	-------	-----------------------

TURN DIA:	4.3700
-----------	--------

GAUGE POINT:	.500	INCHES UP FROM BOTTOM OF SKIRT
--------------	------	--------------------------------