



1902 Mc Gaw Avenue  
Irvine, CA 92614  
949-567-9000  
Fax: 949-567-9010  
WWW.CP-CARRILLO.COM



# PISTON SPEC SHEET

## CUSTOMER INFORMATION

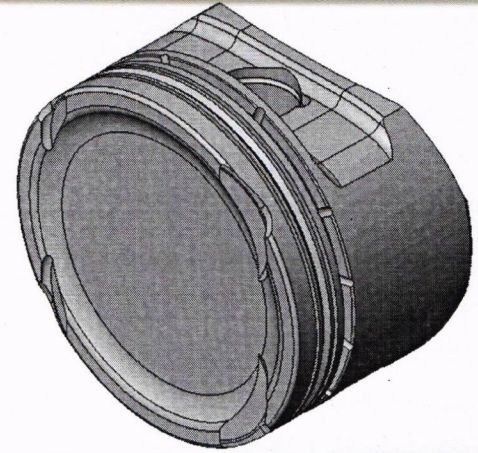
CUSTOMER NAME:

PO NUMBER:

JOB NUMBER: 538691

DATE PRINTED: 1/28/2026

PART NUMBER:



## ENGINE SPECIFICATION

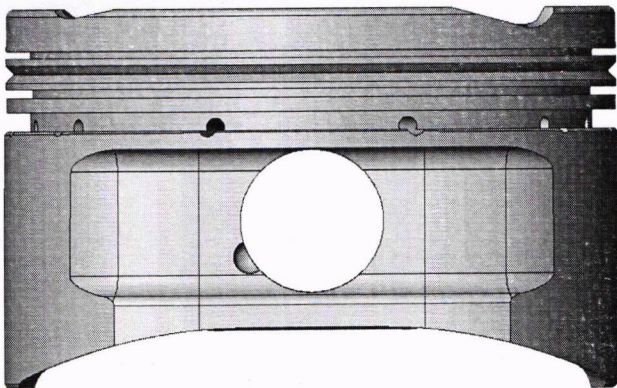
MOTOR:	Nissan	HEAD:	KA24DE	COMP RATIO:	11:1	ROD LENGTH:	6.495
MOTOR SIZE:	2.6 Liter	HEAD CC:	44	BLOCK HEIGHT:	9.726	TOP RING RADIAL:	.132
BORE:	3.5433	INT VALVE DIA:		GASKET THK:	.045	2nd RING RADIAL:	.144
STROKE:	102.000	EXT VALVE DIA:		DECK CLEARANCE:	.000	OIL RING RADIAL:	.124

## PISTON SPECIFICATION

FORGING#:	89-2A	DISH/DEPTH:	-.102	PIN DIAMETER:	.827		
DOME HEIGHT:	.000	CAM PROFILE:	5C4T17	PIN FIT TO:	.8274		
DOME/DISH VOL:	-11.830	TOP LAND VOL.:	-.860	PISTON TO CYL CLEAR:	.0035	PIN LENGTH:	2.250

RING DATA	GROOVE WIDTH		GROOVE DIAMETER	
	INCH	METRIC	INCH	METRIC
TOP RING	.0400	1.016	3.2340	82.1436
2ND RING	.0480	1.2192	3.2100	81.534
OIL RING	.1110	2.8194	3.2350	82.169

VALVE RELIEF	INTAKE		EXHAUST	
	INCH	METRIC	INCH	METRIC
POCKET DEPTH	-.1320	-3.3528	-.0540	-1.3716
POCKET ANGLE	15.000°		12.000°	
POCKET DIA.	1.5500	39.370	1.3500	34.290



COATINGS:	
-----------	--

PISTON WEIGHT:	354
----------------	-----

COMPRESSION HEIGHT:	1.222	CENTER OF PIN TO DECK
---------------------	-------	-----------------------

TURN DIA:	3.5398
-----------	--------

GAUGE POINT:	.500	INCHES UP FROM BOTTOM OF SKIRT
--------------	------	--------------------------------

