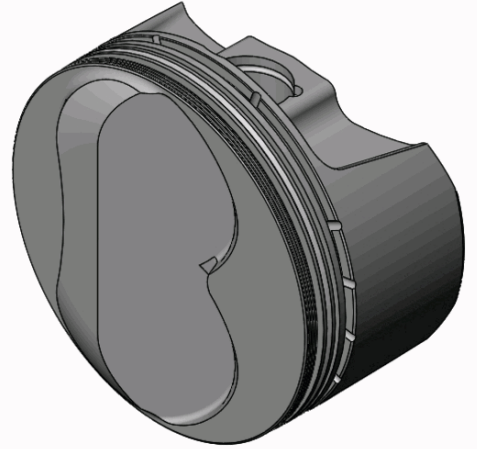


## CUSTOMER INFORMATION

CUSTOMER NAME:	
PO NUMBER:	
JOB NUMBER:	
DATE PRINTED:	8/10/2020
PART NUMBER:	BC1041-060



## ENGINE SPECIFICATION

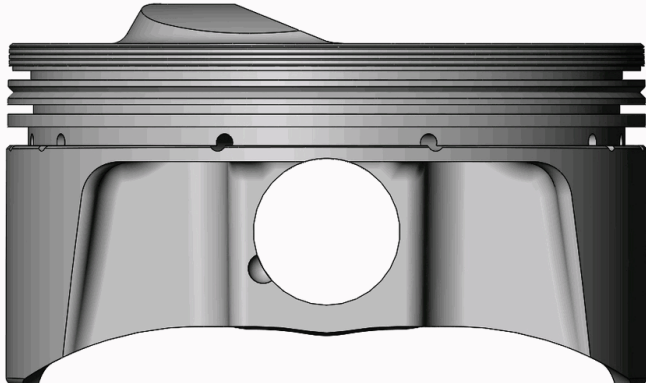
MOTOR:	Chevrolet SB	HEAD:	461	COMP RATIO:		ROD LENGTH:	
MOTOR SIZE:	375	HEAD CC:		BLOCK HEIGHT:		TOP RING RADIAL:	
BORE:	4.060	INT VALVE DIA:		GASKET THK:		2 <sup>nd</sup> RING RADIAL:	
STROKE:		EXT VALVE DIA:		DECK CLEARANCE:		OIL RING RADIAL:	

## PISTON SPECIFICATION

FORGING#:	20	DISH/DEPTH:		PIN DIAMETER:	.927
DOME HEIGHT:	.250	CAM PROFILE:	10F5C65L15	PIN FIT TO:	.9282
DOME/DISH VOL:	4.860	TOP LAND VOL.:	-1.000	PISTON TO CYL CLEAR:	.0045
				PIN LENGTH:	2.500

RING DATA	GROOVE WIDTH		GROOVE DIAMETER	
	INCH	METRIC	INCH	METRIC
TOP RING	.0600	1.524	3.7390	94.9706
2 <sup>ND</sup> RING	.0600	1.524	3.7070	94.1578
OIL RING	.1190	3.0226	3.7710	95.7834

VALVE RELIEF	INTAKE		EXHAUST	
	INCH	METRIC	INCH	METRIC
POCKET DEPTH	-.3100	-7.874	-.3100	-7.874
POCKET ANGLE	22.000°		22.000°	
POCKET DIA.	2.2500	57.150	2.2500	57.150



COATINGS:	-
-----------	---

PISTON WEIGHT:	440
----------------	-----

COMPRESSION HEIGHT:	1.187	CENTER OF PIN TO DECK
---------------------	-------	-----------------------

TURN DIA:	4.0555
-----------	--------

GAUGE POINT:	.500	INCHES UP FROM BOTTOM OF SKIRT
--------------	------	--------------------------------