

CUSTOMER INFORMATION

CUSTOMER NAME:	
PO NUMBER:	
JOB NUMBER:	
DATE PRINTED:	8/21/2020
PART NUMBER:	D7104



ENGINE SPECIFICATION

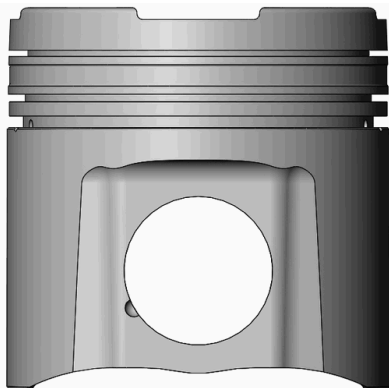
MOTOR:	Cummins	HEAD:	ISB-CR 24V	COMP RATIO:	15.25:1	ROD LENGTH:	7.559
MOTOR SIZE:	5.9	HEAD CC:	6	BLOCK HEIGHT:	12.708	TOP RING RADIAL:	.190
BORE:	4.075	INT VALVE DIA:	1.299	GASKET THK:	.056	2 nd RING RADIAL:	.166
STROKE:	4.724	EXT VALVE DIA:	1.299	DECK CLEARANCE:	.000	OIL RING RADIAL:	.138

PISTON SPECIFICATION

FORGING#:	DSL102/	DISH/DEPTH:	-.413	PIN DIAMETER:	1.575
DOME HEIGHT:	.000	CAM PROFILE:	CP2DSL1	PIN FIT TO:	1.5768
DOME/DISH VOL:	-47.190	TOP LAND VOL.:	-3.820	PISTON TO CYL CLEAR:	.0100
				PIN LENGTH:	3.155

RING DATA	GROOVE WIDTH		GROOVE DIAMETER	
	INCH	METRIC	INCH	METRIC
TOP RING	.0640	1.6764	3.6230	92.0242
2 ND RING	.0793	2.065	3.6710	93.2434
OIL RING	.1190	3.0734	3.7120	94.2848

VALVE RELIEF	INTAKE		EXHAUST	
	INCH	METRIC	INCH	METRIC
POCKET DEPTH				
POCKET ANGLE				
POCKET DIA.				



COATINGS:	Entire Piston Type III (Green) Anodize
-----------	--

PISTON WEIGHT:	0
----------------	---

COMPRESSION HEIGHT:	2.786	CENTER OF PIN TO DECK
---------------------	-------	-----------------------

TURN DIA:	4.0650
-----------	--------

GAUGE POINT:	.400	INCHES UP FROM BOTTOM OF SKIRT
--------------	------	--------------------------------