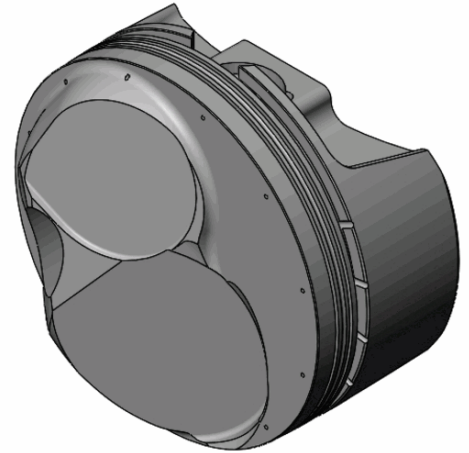


CUSTOMER INFORMATION

CUSTOMER NAME:	
PO NUMBER:	
JOB NUMBER:	
DATE PRINTED:	9/18/2020
PART NUMBER:	BBCRE5330-060



ENGINE SPECIFICATION

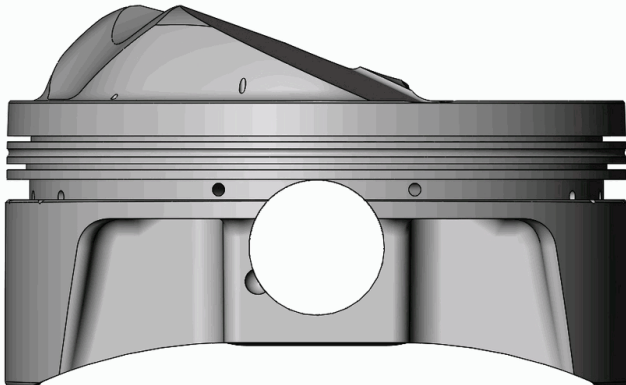
MOTOR: Chevrolet Big Block	HEAD: Head Hunter	COMP RATIO: 14.7:1	ROD LENGTH: 6.535
MOTOR SIZE: 572	HEAD CC: 118	BLOCK HEIGHT: 9.800	TOP RING RADIAL: .166
BORE: 4.560	INT VALVE DIA: 2.400	GASKET THK:	2 nd RING RADIAL: .133
STROKE: 4.375	EXT VALVE DIA: 1.900	DECK CLEARANCE: .008	OIL RING RADIAL: .158

PISTON SPECIFICATION

FORGING#: 55H/	DISH/DEPTH:	PIN DIAMETER: .990
DOME HEIGHT: .700	CAM PROFILE: 10F45C5L18	PIN FIT TO: .9915
DOME/DISH VOL: 46.830	TOP LAND VOL.: -1.520	PISTON TO CYL CLEAR: .0055
		PIN LENGTH: 2.750

RING DATA	GROOVE WIDTH		GROOVE DIAMETER	
	INCH	METRIC	INCH	METRIC
TOP RING	.0435	1.1049	4.1770	106.0958
2 ND RING	.0440	1.1176	4.2430	107.7722
OIL RING	.1490	3.7846	4.1950	106.553

VALVE RELIEF	INTAKE		EXHAUST	
	INCH	METRIC	INCH	METRIC
POCKET DEPTH	-.3150	-8.001	.1000	2.540
POCKET ANGLE	24.000°		15.000°	
POCKET DIA.	2.5500	64.770	2.0500	52.070



COATINGS:	-
-----------	---

PISTON WEIGHT:	633
----------------	-----

COMPRESSION HEIGHT:	1.070	CENTER OF PIN TO DECK
---------------------	-------	-----------------------

TURN DIA:	4.5545
-----------	--------

GAUGE POINT:	.400	INCHES UP FROM BOTTOM OF SKIRT
--------------	------	--------------------------------