

CUSTOMER INFORMATION

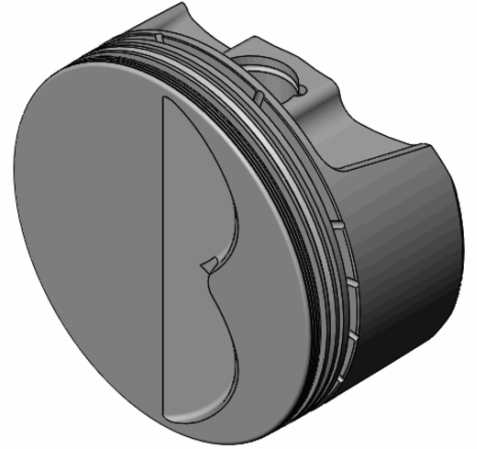
CUSTOMER NAME:

PO NUMBER:

JOB NUMBER:

DATE PRINTED: **9/18/2020**

PART NUMBER: **BC1102-STDA**



ENGINE SPECIFICATION

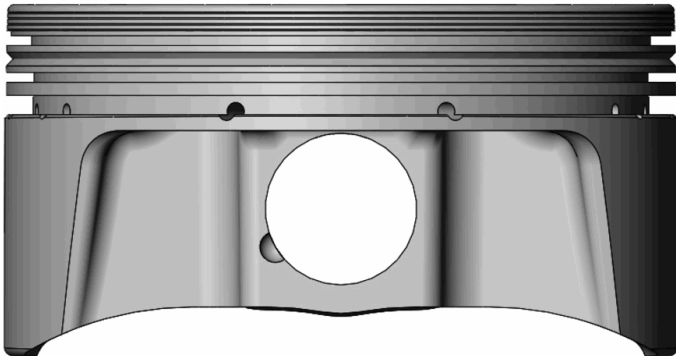
MOTOR:	Chevrolet SB	HEAD:	All 23° Head	COMP RATIO:		ROD LENGTH:	6.000
MOTOR SIZE:	377	HEAD CC:	64	BLOCK HEIGHT:	9.010	TOP RING RADIAL:	.148
BORE:	4.125	INT VALVE DIA:	2.080	GASKET THK:	9.100	2 nd RING RADIAL:	.163
STROKE:	3.480	EXT VALVE DIA:	1.625	DECK CLEARANCE:	.020	OIL RING RADIAL:	.147

PISTON SPECIFICATION

FORGING#:	21	DISH/DEPTH:		PIN DIAMETER:	.927
DOME HEIGHT:	.000	CAM PROFILE:	10F5C65L15	PIN FIT TO:	.9282
DOME/DISH VOL:	-6.900	TOP LAND VOL.:	-1.130	PISTON TO CYL CLEAR:	.0050
				PIN LENGTH:	2.500

RING DATA	GROOVE WIDTH		GROOVE DIAMETER	
	INCH	METRIC	INCH	METRIC
TOP RING	.0600	1.524	3.7840	96.1136
2 ND RING	.0600	1.524	3.7540	95.3516
OIL RING	.1180	2.9972	3.7660	95.6564

VALVE RELIEF	INTAKE		EXHAUST	
	INCH	METRIC	INCH	METRIC
POCKET DEPTH	-.3100	-7.874	-.3100	-7.874
POCKET ANGLE	22.000°		22.000°	
POCKET DIA.	2.2500	57.150	2.2500	57.150



COATINGS:	-
-----------	---

PISTON WEIGHT:	440
----------------	------------

COMPRESSION HEIGHT:	1.250	CENTER OF PIN TO DECK
---------------------	--------------	-----------------------

TURN DIA:	4.1200
-----------	---------------

GAUGE POINT:	.500	INCHES UP FROM BOTTOM OF SKIRT
--------------	-------------	--------------------------------