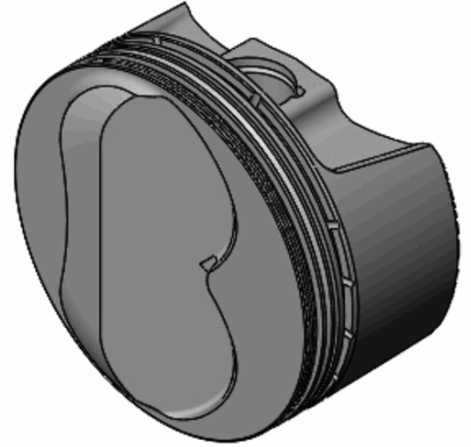


CUSTOMER INFORMATION

CUSTOMER NAME:	
PO NUMBER:	
JOB NUMBER:	
DATE PRINTED:	9/18/2020
PART NUMBER:	BC1113-010



ENGINE SPECIFICATION

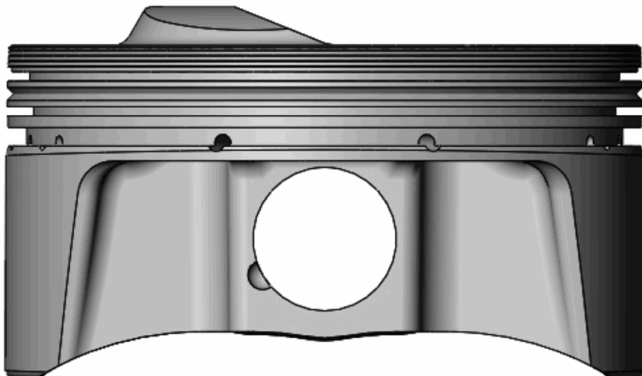
MOTOR:	Chevrolet SB	HEAD:	All 23° Head	COMP RATIO:	11.4:1	ROD LENGTH:	6.000
MOTOR SIZE:	379	HEAD CC:	64	BLOCK HEIGHT:	9.010	TOP RING RADIAL:	.140
BORE:	4.135	INT VALVE DIA:	2.080	GASKET THK:	.040	2 nd RING RADIAL:	.163
STROKE:	3.480	EXT VALVE DIA:	1.625	DECK CLEARANCE:	-.020	OIL RING RADIAL:	.116

PISTON SPECIFICATION

FORGING#:	21	DISH/DEPTH:		PIN DIAMETER:	.927
DOME HEIGHT:	.250	CAM PROFILE:	10F5C65S23	PIN FIT TO:	.9282
DOME/DISH VOL:	5.010	TOP LAND VOL.:	-1.010	PISTON TO CYL CLEAR:	.0060
				PIN LENGTH:	2.500

RING DATA	GROOVE WIDTH		GROOVE DIAMETER	
	INCH	METRIC	INCH	METRIC
TOP RING	.0600	1.524	3.8120	96.8248
2 ND RING	.0600	1.524	3.7640	95.6056
OIL RING	.1190	3.0226	3.8530	97.8662

VALVE RELIEF	INTAKE		EXHAUST	
	INCH	METRIC	INCH	METRIC
POCKET DEPTH	-.3100	-7.874	-.3100	-7.874
POCKET ANGLE	22.000°		22.000°	
POCKET DIA.	2.2500	57.150	2.2500	57.150



COATINGS:	-
-----------	---

PISTON WEIGHT:	470
----------------	-----

COMPRESSION HEIGHT:	1.250	CENTER OF PIN TO DECK
---------------------	-------	-----------------------

TURN DIA:	4.1290
-----------	--------

GAUGE POINT:	.400	INCHES UP FROM BOTTOM OF SKIRT
--------------	------	--------------------------------