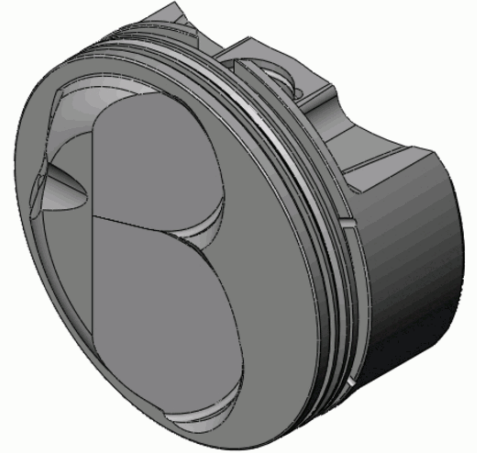


CUSTOMER INFORMATION

CUSTOMER NAME:	
PO NUMBER:	
JOB NUMBER:	
DATE PRINTED:	9/18/2020
PART NUMBER:	BCR1220-025



ENGINE SPECIFICATION

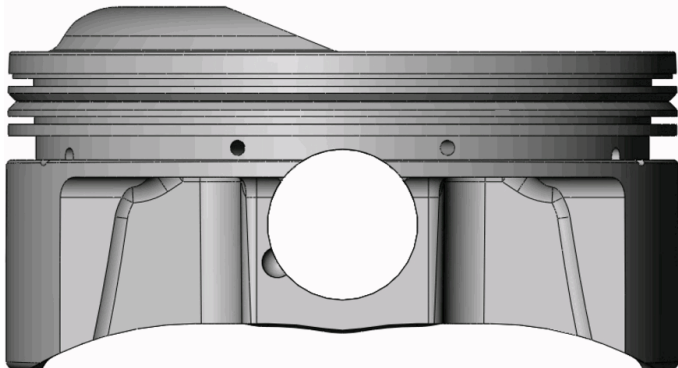
MOTOR:	Chevrolet SB	HEAD:	ASCS	COMP RATIO:		ROD LENGTH:	
MOTOR SIZE:	419	HEAD CC:		BLOCK HEIGHT:		TOP RING RADIAL:	
BORE:	4.150	INT VALVE DIA:		GASKET THK:		2 nd RING RADIAL:	
STROKE:		EXT VALVE DIA:		DECK CLEARANCE:		OIL RING RADIAL:	

PISTON SPECIFICATION

FORGING#:	21/21	DISH/DEPTH:		PIN DIAMETER:	.927
DOME HEIGHT:	.275	CAM PROFILE:	10F5C65S23	PIN FIT TO:	.9282
DOME/DISH VOL:	8.000	TOP LAND VOL.:	-.960	PISTON TO CYL CLEAR:	.0060
				PIN LENGTH:	2.500

RING DATA	GROOVE WIDTH		GROOVE DIAMETER	
	INCH	METRIC	INCH	METRIC
TOP RING	.0480	1.2192	3.8040	96.6216
2 ND RING	.0480	1.2192	3.7940	96.3676
OIL RING	.1490	3.7846	3.7750	95.885

VALVE RELIEF	INTAKE		EXHAUST	
	INCH	METRIC	INCH	METRIC
POCKET DEPTH	-.3350	-8.509	SP	SP
POCKET ANGLE	22.000°		22.000°	
POCKET DIA.	2.2500	57.150	1.7500	44.450



COATINGS:	-
-----------	----------

PISTON WEIGHT:	460
----------------	------------

COMPRESSION HEIGHT:	1.062	CENTER OF PIN TO DECK
---------------------	--------------	-----------------------

TURN DIA:	4.1440
-----------	---------------

GAUGE POINT:	.400	INCHES UP FROM BOTTOM OF SKIRT
--------------	-------------	--------------------------------