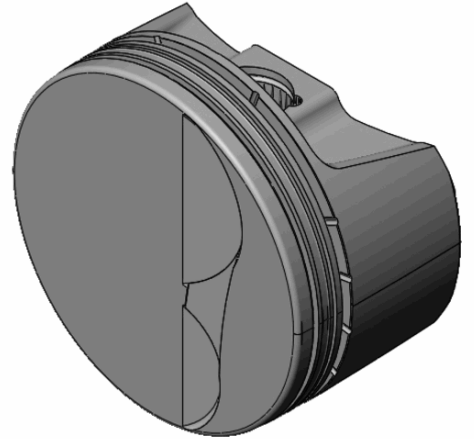


CUSTOMER INFORMATION

CUSTOMER NAME:
 PO NUMBER:
 JOB NUMBER:
 DATE PRINTED: **9/18/2020**
 PART NUMBER: **BLSR1135-070**



ENGINE SPECIFICATION

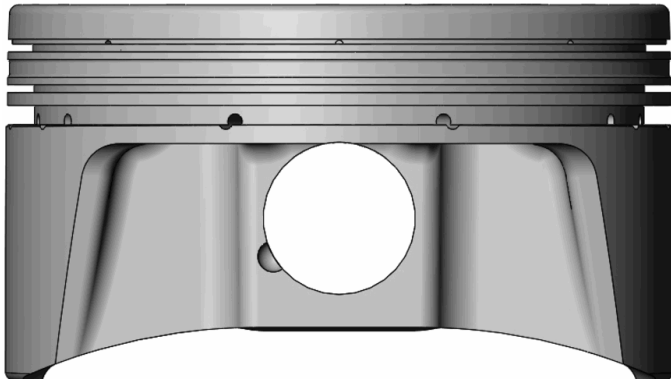
MOTOR:	Chevrolet SB	HEAD:	All 15 ° STD/L92	COMP RATIO:		ROD LENGTH:	6.125
MOTOR SIZE:	377	HEAD CC:	68	BLOCK HEIGHT:	9.236	TOP RING RADIAL:	.147
BORE:	4.070	INT VALVE DIA:	2.180	GASKET THK:	.051	2 nd RING RADIAL:	.154
STROKE:	3.622	EXT VALVE DIA:	1.600	DECK CLEARANCE:	.000	OIL RING RADIAL:	.147

PISTON SPECIFICATION

FORGING#:	L10/L10	DISH/DEPTH:		PIN DIAMETER:	.927
DOME HEIGHT:	.000	CAM PROFILE:	10F6C6L16	PIN FIT TO:	.9283
DOME/DISH VOL:	-2.690	TOP LAND VOL.:	-1.390	PISTON TO CYL CLEAR:	.0040
				PIN LENGTH:	2.250

RING DATA	GROOVE WIDTH		GROOVE DIAMETER	
	INCH	METRIC	INCH	METRIC
TOP RING	.0475	1.2065	3.7310	94.7674
2 ND RING	.0480	1.2192	3.7170	94.4118
OIL RING	.1180	2.9972	3.7110	94.2594

VALVE RELIEF	INTAKE		EXHAUST	
	INCH	METRIC	INCH	METRIC
POCKET DEPTH	-.1750	-4.445	SP	SP
POCKET ANGLE	14.000°		14.000°	
POCKET DIA.	2.2800	57.912	1.7500	44.450



COATINGS: -

PISTON WEIGHT: **491**

COMPRESSION HEIGHT: **1.300** CENTER OF PIN TO DECK

TURN DIA: **4.0660** NOTE: Cast Iron Block .0045
 min -.007 max piston to wall

GAUGE POINT: **.400** INCHES UP FROM BOTTOM
 OF SKIRT