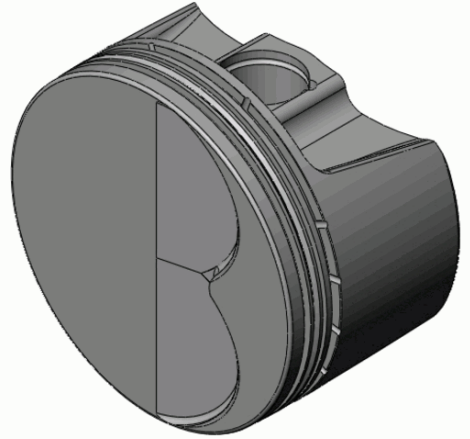


CUSTOMER INFORMATION

| | |
|----------------|------------|
| CUSTOMER NAME: | |
| PO NUMBER: | |
| JOB NUMBER: | |
| DATE PRINTED: | 9/18/2020 |
| PART NUMBER: | BP8001-035 |



ENGINE SPECIFICATION

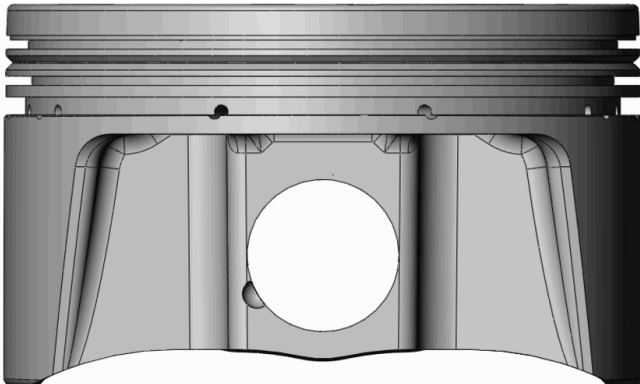
| | | | | | | | |
|-------------|---------|----------------|-----------|-----------------|--|------------------------------|--|
| MOTOR: | Pontiac | HEAD: | Edelbrock | COMP RATIO: | | ROD LENGTH: | |
| MOTOR SIZE: | 407 | HEAD CC: | | BLOCK HEIGHT: | | TOP RING RADIAL: | |
| BORE: | 4.155 | INT VALVE DIA: | | GASKET THK: | | 2 nd RING RADIAL: | |
| STROKE: | | EXT VALVE DIA: | | DECK CLEARANCE: | | OIL RING RADIAL: | |

PISTON SPECIFICATION

| | | | | | |
|----------------|--------|----------------|------------|----------------------|-------|
| FORGING#: | 61 | DISH/DEPTH: | | PIN DIAMETER: | .990 |
| DOME HEIGHT: | .000 | CAM PROFILE: | 10F5C65L19 | PIN FIT TO: | .9913 |
| DOME/DISH VOL: | -7.140 | TOP LAND VOL.: | -1.340 | PISTON TO CYL CLEAR: | .0045 |
| | | | | PIN LENGTH: | 2.500 |

| RING DATA | GROOVE WIDTH | | GROOVE DIAMETER | |
|----------------------|--------------|--------|-----------------|---------|
| | INCH | METRIC | INCH | METRIC |
| TOP RING | .0600 | 1.524 | 3.8300 | 97.282 |
| 2 ND RING | .0600 | 1.524 | 3.7840 | 96.1136 |
| OIL RING | .1180 | 2.9972 | 3.8660 | 98.1964 |

| VALVE RELIEF | INTAKE | | EXHAUST | |
|--------------|---------|--------|---------|--------|
| | INCH | METRIC | INCH | METRIC |
| POCKET DEPTH | -.2500 | -6.350 | -.2500 | -6.350 |
| POCKET ANGLE | 14.000° | | 14.000° | |
| POCKET DIA. | 2.2500 | 57.150 | 2.2500 | 57.150 |



| | |
|-----------|---|
| COATINGS: | - |
|-----------|---|

| | |
|----------------|-----|
| PISTON WEIGHT: | 530 |
|----------------|-----|

| | | |
|---------------------|-------|-----------------------|
| COMPRESSION HEIGHT: | 1.630 | CENTER OF PIN TO DECK |
|---------------------|-------|-----------------------|

| | |
|-----------|--------|
| TURN DIA: | 4.1505 |
|-----------|--------|

| | | |
|--------------|------|--------------------------------|
| GAUGE POINT: | .500 | INCHES UP FROM BOTTOM OF SKIRT |
|--------------|------|--------------------------------|