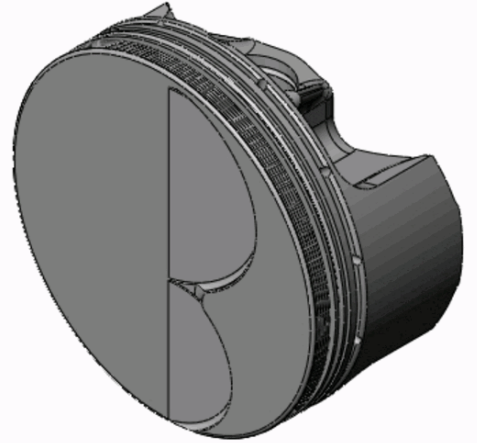


CUSTOMER INFORMATION

CUSTOMER NAME:	
PO NUMBER:	
JOB NUMBER:	
DATE PRINTED:	9/18/2020
PART NUMBER:	LS1115



ENGINE SPECIFICATION

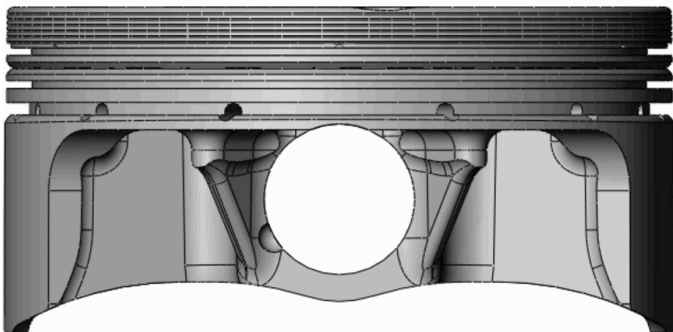
MOTOR:	Chevrolet SB	HEAD:	LS-7	COMP RATIO:		ROD LENGTH:	
MOTOR SIZE:	427	HEAD CC:		BLOCK HEIGHT:		TOP RING RADIAL:	
BORE:	4.130	INT VALVE DIA:		GASKET THK:		2 nd RING RADIAL:	
STROKE:		EXT VALVE DIA:		DECK CLEARANCE:		OIL RING RADIAL:	

PISTON SPECIFICATION

FORGING#:	X113/X113	DISH/DEPTH:		PIN DIAMETER:	.927
DOME HEIGHT:	.000	CAM PROFILE:	CP33	PIN FIT TO:	.9282
DOME/DISH VOL:	-4.730	TOP LAND VOL.:	-1.280	PISTON TO CYL CLEAR:	.0035
				PIN LENGTH:	2.250

RING DATA	GROOVE WIDTH		GROOVE DIAMETER	
	INCH	METRIC	INCH	METRIC
TOP RING	.0475	1.2065	3.7890	96.2406
2 ND RING	.0480	1.2192	3.7810	96.0374
OIL RING	.0780	1.9812	3.8170	96.9518

VALVE RELIEF	INTAKE		EXHAUST	
	INCH	METRIC	INCH	METRIC
POCKET DEPTH	-.2200	-5.588	-.1610	-4.0894
POCKET ANGLE	12.000°		12.000°	
POCKET DIA.	2.3500	59.690	1.7500	44.450



COATINGS:	-
-----------	---

PISTON WEIGHT:	464
----------------	------------

COMPRESSION HEIGHT:	1.181	CENTER OF PIN TO DECK
---------------------	--------------	-----------------------

TURN DIA:	4.1265
-----------	---------------

GAUGE POINT:	.500	INCHES UP FROM BOTTOM OF SKIRT
--------------	-------------	--------------------------------