

CUSTOMER INFORMATION

CUSTOMER NAME:	
PO NUMBER:	
JOB NUMBER:	
DATE PRINTED:	9/18/2020
PART NUMBER:	SC7243



ENGINE SPECIFICATION

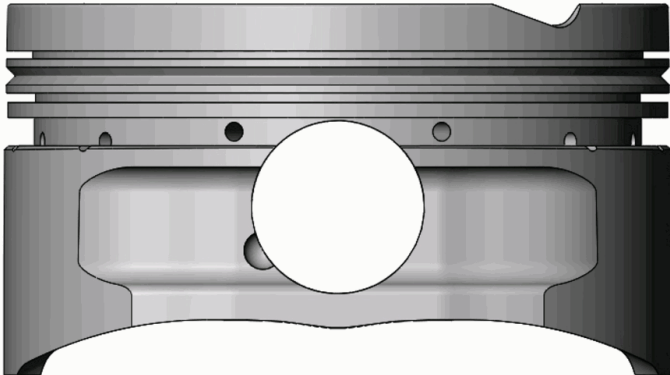
MOTOR:	Mitsubishi	HEAD:	4G63	COMP RATIO:		ROD LENGTH:	
MOTOR SIZE:	2.2l	HEAD CC:		BLOCK HEIGHT:		TOP RING RADIAL:	
BORE:	3.346	INT VALVE DIA:		GASKET THK:		2 nd RING RADIAL:	
STROKE:		EXT VALVE DIA:		DECK CLEARANCE:		OIL RING RADIAL:	

PISTON SPECIFICATION

FORGING#:	83-2A	DISH/DEPTH:	-.158	PIN DIAMETER:	.866
DOME HEIGHT:	.000	CAM PROFILE:	CP832XSS	PIN FIT TO:	.8668
DOME/DISH VOL:	-16.560	TOP LAND VOL.:	-.780	PISTON TO CYL CLEAR:	.0035
				PIN LENGTH:	2.250

RING DATA	GROOVE WIDTH		GROOVE DIAMETER	
	INCH	METRIC	INCH	METRIC
TOP RING	.0400	1.016	3.0530	77.5462
2 ND RING	.0480	1.2192	3.0250	76.835
OIL RING	.1410	3.5814	3.0370	77.1398

VALVE RELIEF	INTAKE		EXHAUST	
	INCH	METRIC	INCH	METRIC
POCKET DEPTH	-.1600	-4.064	-.1300	-3.302
POCKET ANGLE	20.000°		20.000°	
POCKET DIA.	1.4800	37.592	1.3400	34.036



COATINGS:	-
-----------	---

PISTON WEIGHT:	270
----------------	-----

COMPRESSION HEIGHT:	1.015	CENTER OF PIN TO DECK
---------------------	-------	-----------------------

TURN DIA:	3.3425
-----------	--------

GAUGE POINT:	.400	INCHES UP FROM BOTTOM OF SKIRT
--------------	------	--------------------------------