

CUSTOMER INFORMATION

CUSTOMER NAME:	
PO NUMBER:	
JOB NUMBER:	
DATE PRINTED:	9/18/2020
PART NUMBER:	SC7444



ENGINE SPECIFICATION

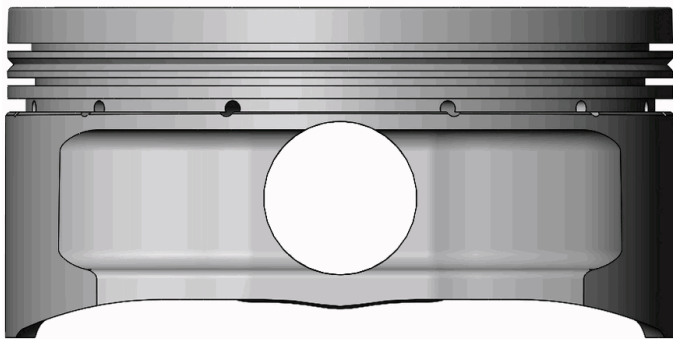
MOTOR:	Subaru	HEAD:	EJ257	COMP RATIO:		ROD LENGTH:	
MOTOR SIZE:	2.6	HEAD CC:		BLOCK HEIGHT:		TOP RING RADIAL:	
BORE:	3.957	INT VALVE DIA:		GASKET THK:		2 nd RING RADIAL:	
STROKE:		EXT VALVE DIA:		DECK CLEARANCE:		OIL RING RADIAL:	

PISTON SPECIFICATION

FORGING#:	98-2A	DISH/DEPTH:	-.020	PIN DIAMETER:	.905
DOME HEIGHT:	.000	CAM PROFILE:	CP832XS	PIN FIT TO:	.9065
DOME/DISH VOL:	-9.070	TOP LAND VOL.:	-.820	PISTON TO CYL CLEAR:	.0030
				PIN LENGTH:	2.500

RING DATA	GROOVE WIDTH		GROOVE DIAMETER	
	INCH	METRIC	INCH	METRIC
TOP RING	.0480	1.2192	3.6420	92.5068
2 ND RING	.0480	1.2192	3.5960	91.3384
OIL RING	.0795	2.0193	3.7120	94.2848

VALVE RELIEF	INTAKE		EXHAUST	
	INCH	METRIC	INCH	METRIC
POCKET DEPTH	-.2500	-6.350	-.2500	-6.350
POCKET ANGLE	20.000°		20.000°	
POCKET DIA.	1.5360	39.0144	1.5360	39.014



COATINGS:	-
-----------	---

PISTON WEIGHT:	401
----------------	-----

COMPRESSION HEIGHT:	1.123	CENTER OF PIN TO DECK
---------------------	-------	-----------------------

TURN DIA:	3.9540
-----------	--------

GAUGE POINT:	.500	INCHES UP FROM BOTTOM OF SKIRT
--------------	------	--------------------------------