

CUSTOMER INFORMATION

CUSTOMER NAME:	
PO NUMBER:	
JOB NUMBER:	
DATE PRINTED:	9/18/2020
PART NUMBER:	XP5010



ENGINE SPECIFICATION

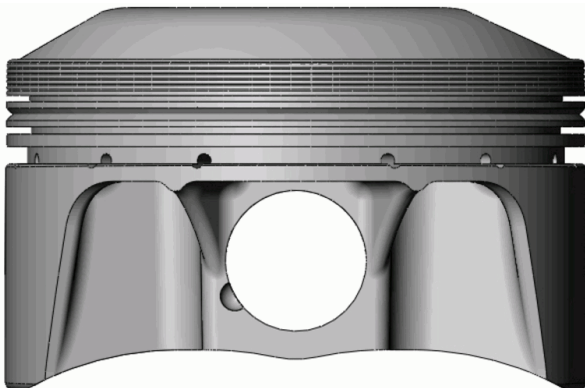
MOTOR:	Porsche	HEAD:	911 3.2L 84-89	COMP RATIO:		ROD LENGTH:	
MOTOR SIZE:	3.2 Liter	HEAD CC:		BLOCK HEIGHT:		TOP RING RADIAL:	
BORE:	3.740	INT VALVE DIA:		GASKET THK:		2 nd RING RADIAL:	
STROKE:		EXT VALVE DIA:		DECK CLEARANCE:		OIL RING RADIAL:	

PISTON SPECIFICATION

FORGING#:	X94/	DISH/DEPTH:		PIN DIAMETER:	.905
DOME HEIGHT:	.335	CAM PROFILE:	10F45C65L18	PIN FIT TO:	.9063
DOME/DISH VOL:	35.660	TOP LAND VOL.:	-.670	PISTON TO CYL CLEAR:	.0020
				PIN LENGTH:	2.250

RING DATA	GROOVE WIDTH		GROOVE DIAMETER	
	INCH	METRIC	INCH	METRIC
TOP RING	.0400	1.016	3.4250	86.995
2 ND RING	.0480	1.2192	3.3970	86.2838
OIL RING	.1110	2.8194	3.4480	87.5792

VALVE RELIEF	INTAKE		EXHAUST	
	INCH	METRIC	INCH	METRIC
POCKET DEPTH	-.1800	-4.572	-.1350	-3.429
POCKET ANGLE	25.000°		30.000°	
POCKET DIA.	2.0300	51.562	1.7500	44.450



COATINGS:	-
-----------	---

PISTON WEIGHT:	434
----------------	-----

COMPRESSION HEIGHT:	1.290	CENTER OF PIN TO DECK
---------------------	-------	-----------------------

TURN DIA:	3.7380
-----------	--------

GAUGE POINT:	.400	INCHES UP FROM BOTTOM OF SKIRT
--------------	------	--------------------------------