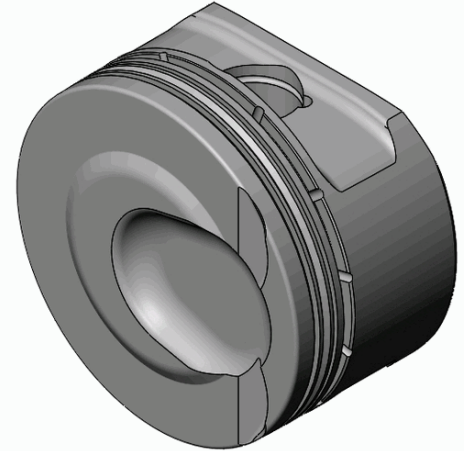


## CUSTOMER INFORMATION

CUSTOMER NAME:	
PO NUMBER:	
JOB NUMBER:	
DATE PRINTED:	9/18/2020
PART NUMBER:	SC7530



## ENGINE SPECIFICATION

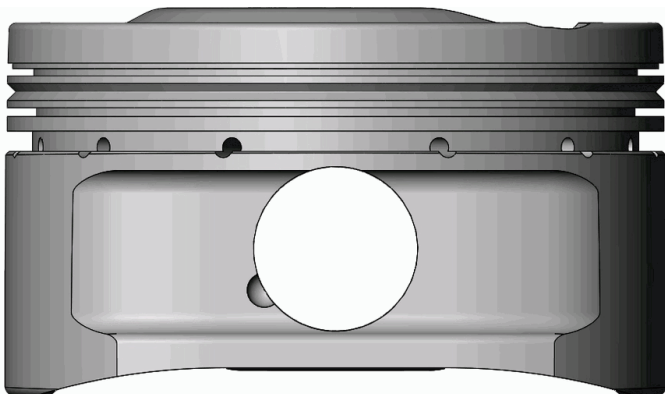
MOTOR:	Ford 2/4/6	HEAD:	EcoBoost 3.5L	COMP RATIO:		ROD LENGTH:	
MOTOR SIZE:	3.5 Liter	HEAD CC:		BLOCK HEIGHT:		TOP RING RADIAL:	
BORE:	3.642	INT VALVE DIA:		GASKET THK:		2 <sup>nd</sup> RING RADIAL:	
STROKE:		EXT VALVE DIA:		DECK CLEARANCE:		OIL RING RADIAL:	

## PISTON SPECIFICATION

FORGING#:	89-2A	DISH/DEPTH:		PIN DIAMETER:	.905
DOME HEIGHT:	.083	CAM PROFILE:	CP832XS	PIN FIT TO:	.9060
DOME/DISH VOL:	-1.650	TOP LAND VOL.:	-1.160	PISTON TO CYL CLEAR:	.0037
				PIN LENGTH:	2.250

RING DATA	GROOVE WIDTH		GROOVE DIAMETER	
	INCH	METRIC	INCH	METRIC
TOP RING	.0400	1.016	3.3190	84.3026
2 <sup>ND</sup> RING	.0480	1.2192	3.2930	83.6422
OIL RING	.1110	2.8194	3.3340	84.6836

VALVE RELIEF	INTAKE		EXHAUST	
	INCH	METRIC	INCH	METRIC
POCKET DEPTH	-.0850	-2.159	-.0850	-2.159
POCKET ANGLE	16.000°		16.000°	
POCKET DIA.	1.6000	40.640	1.6000	40.640



COATINGS:	-
-----------	---

PISTON WEIGHT:	439
----------------	-----

COMPRESSION HEIGHT:	1.240	CENTER OF PIN TO DECK
---------------------	-------	-----------------------

TURN DIA:	3.6383
-----------	--------

GAUGE POINT:	.500	INCHES UP FROM BOTTOM OF SKIRT
--------------	------	--------------------------------