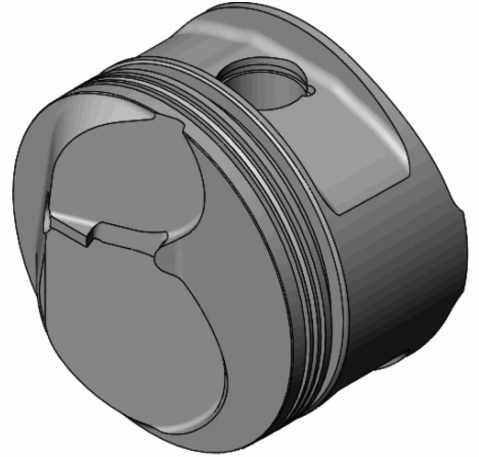


CUSTOMER INFORMATION

CUSTOMER NAME:	
PO NUMBER:	
JOB NUMBER:	
DATE PRINTED:	6/4/2021
PART NUMBER:	S1322



ENGINE SPECIFICATION

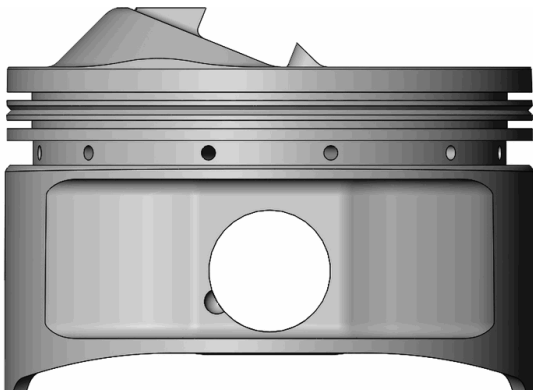
MOTOR:	Chevrolet SB	HEAD:	23° 20/30 Shift	COMP RATIO:		ROD LENGTH:	
MOTOR SIZE:	350	HEAD CC:		BLOCK HEIGHT:		TOP RING RADIAL:	
BORE:	4.035	INT VALVE DIA:		GASKET THK:		2 nd RING RADIAL:	
STROKE:		EXT VALVE DIA:		DECK CLEARANCE:		OIL RING RADIAL:	

PISTON SPECIFICATION

FORGING#:	4022HR/4022HL	DISH/DEPTH:		PIN DIAMETER:	.927
DOME HEIGHT:	.450	CAM PROFILE:	CP32	PIN FIT TO:	.9275
DOME/DISH VOL:	13.390	TOP LAND VOL.:	-.850	PISTON TO CYL CLEAR:	.0045
				PIN LENGTH:	2.750

RING DATA	GROOVE WIDTH		GROOVE DIAMETER	
	INCH	METRIC	INCH	METRIC
TOP RING	.0640	1.6256	3.6190	91.9226
2 ND RING	.0640	1.6256	3.6190	91.9226
OIL RING	.1880	4.7752	3.5990	91.4146

VALVE RELIEF	INTAKE		EXHAUST	
	INCH	METRIC	INCH	METRIC
POCKET DEPTH	-.3100	-7.874	SP	SP
POCKET ANGLE	22.000°		22.000°	
POCKET DIA.	2.2500	57.150	1.7500	44.450



COATINGS:	-
-----------	---

PISTON WEIGHT:	486
----------------	------------

COMPRESSION HEIGHT:	1.550	CENTER OF PIN TO DECK
---------------------	--------------	-----------------------

TURN DIA:	4.0305
-----------	---------------

GAUGE POINT:	.500	INCHES UP FROM BOTTOM OF SKIRT
--------------	-------------	--------------------------------