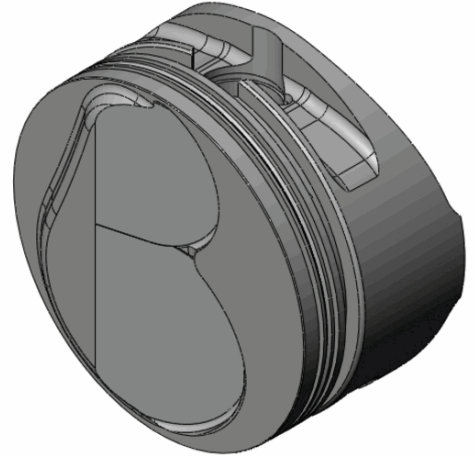


CUSTOMER INFORMATION

CUSTOMER NAME:	
PO NUMBER:	
JOB NUMBER:	
DATE PRINTED:	6/4/2021
PART NUMBER:	S2235



ENGINE SPECIFICATION

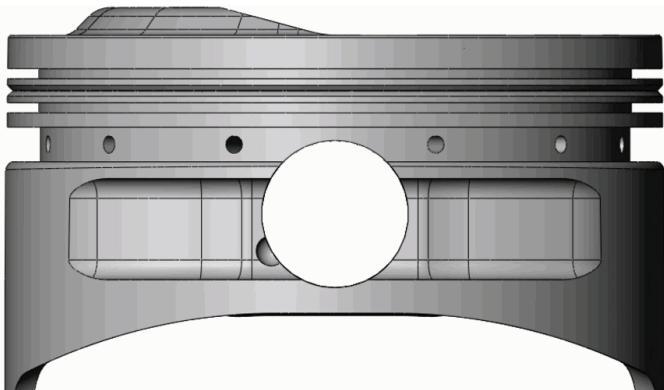
MOTOR: Chevrolet SB	HEAD: Brodix - 12x2	COMP RATIO:	ROD LENGTH:
MOTOR SIZE: 400	HEAD CC:	BLOCK HEIGHT:	TOP RING RADIAL:
BORE: 4.165	INT VALVE DIA:	GASKET THK:	2 nd RING RADIAL:
STROKE:	EXT VALVE DIA:	DECK CLEARANCE:	OIL RING RADIAL:

PISTON SPECIFICATION

FORGING#: 4117R/4117L	DISH/DEPTH:	PIN DIAMETER: .927
DOME HEIGHT: .175	CAM PROFILE: CP32	PIN FIT TO: .9275
DOME/DISH VOL: 2.040	TOP LAND VOL.: -.980	PISTON TO CYL CLEAR: .0045
		PIN LENGTH: 2.750

RING DATA	GROOVE WIDTH		GROOVE DIAMETER	
	INCH	METRIC	INCH	METRIC
TOP RING	.0640	1.6256	3.7370	94.9198
2 ND RING	.0640	1.6256	3.7370	94.9198
OIL RING	.2180	5.5372	3.7170	94.4118

VALVE RELIEF	INTAKE		EXHAUST	
	INCH	METRIC	INCH	METRIC
POCKET DEPTH	-.2900	-7.366	SP	SP
POCKET ANGLE	15.000°		15.000°	
POCKET DIA.	2.3250	59.055	1.8500	46.990



COATINGS:	-
-----------	---

PISTON WEIGHT:	490
----------------	-----

COMPRESSION HEIGHT:	1.125	CENTER OF PIN TO DECK
---------------------	-------	-----------------------

TURN DIA:	4.1605
-----------	--------

GAUGE POINT:	.500	INCHES UP FROM BOTTOM OF SKIRT
--------------	------	--------------------------------