

## CUSTOMER INFORMATION

CUSTOMER NAME:	
PO NUMBER:	
JOB NUMBER:	
DATE PRINTED:	6/4/2021
PART NUMBER:	S5043



## ENGINE SPECIFICATION

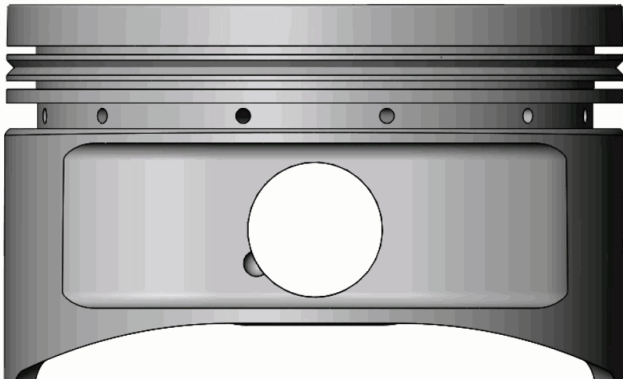
MOTOR:	Chevrolet Big Block	HEAD:	O.C. BBC	COMP RATIO:		ROD LENGTH:	
MOTOR SIZE:	454	HEAD CC:		BLOCK HEIGHT:		TOP RING RADIAL:	
BORE:	4.560	INT VALVE DIA:		GASKET THK:		2 <sup>nd</sup> RING RADIAL:	
STROKE:		EXT VALVE DIA:		DECK CLEARANCE:		OIL RING RADIAL:	

## PISTON SPECIFICATION

FORGING#:	545	DISH/DEPTH:		PIN DIAMETER:	.990
DOME HEIGHT:	.000	CAM PROFILE:	CP24	PIN FIT TO:	.9905
DOME/DISH VOL:	-2.920	TOP LAND VOL.:	-1.790	PISTON TO CYL CLEAR:	.0055
				PIN LENGTH:	2.930

RING DATA	GROOVE WIDTH		GROOVE DIAMETER	
	INCH	METRIC	INCH	METRIC
TOP RING	.0640	1.6256	4.0910	103.9114
2 <sup>ND</sup> RING	.0640	1.6256	4.0910	103.9114
OIL RING	.1880	4.7752	4.0710	103.4034

VALVE RELIEF	INTAKE		EXHAUST	
	INCH	METRIC	INCH	METRIC
POCKET DEPTH	-.3000	-7.620	.0000	.000
POCKET ANGLE	25.000°			
POCKET DIA.	2.4000	60.960		



COATINGS:	-
-----------	---

PISTON WEIGHT:	705
----------------	-----

COMPRESSION HEIGHT:	1.645	CENTER OF PIN TO DECK
---------------------	-------	-----------------------

TURN DIA:	4.5545
-----------	--------

GAUGE POINT:	.500	INCHES UP FROM BOTTOM OF SKIRT
--------------	------	--------------------------------